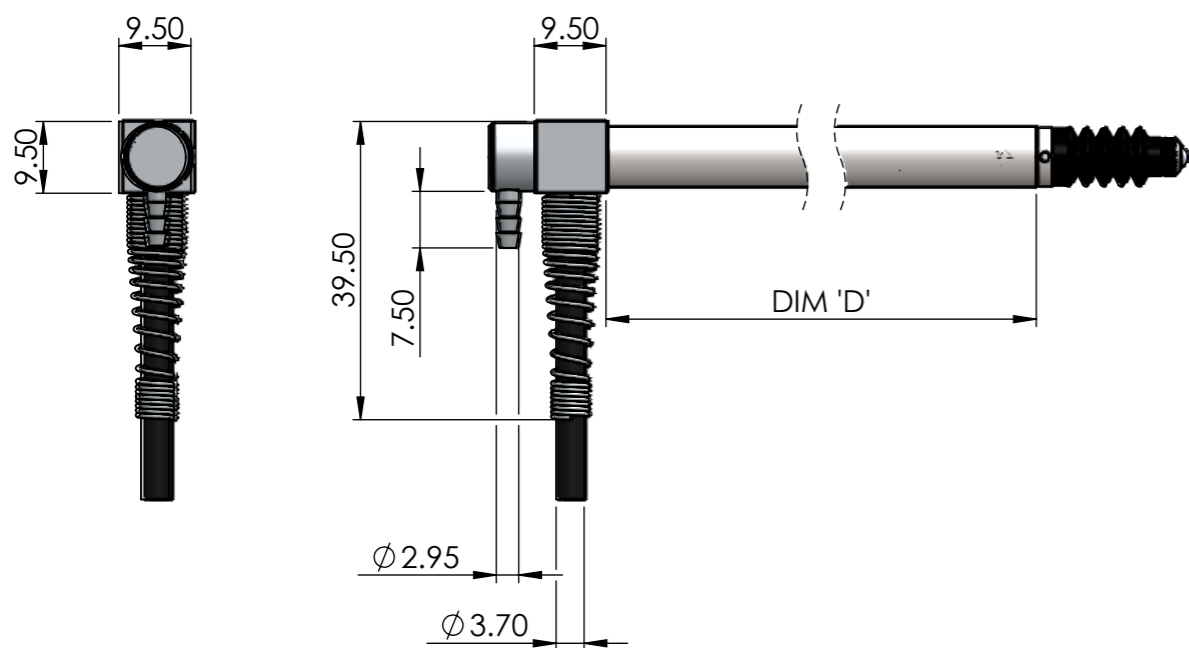
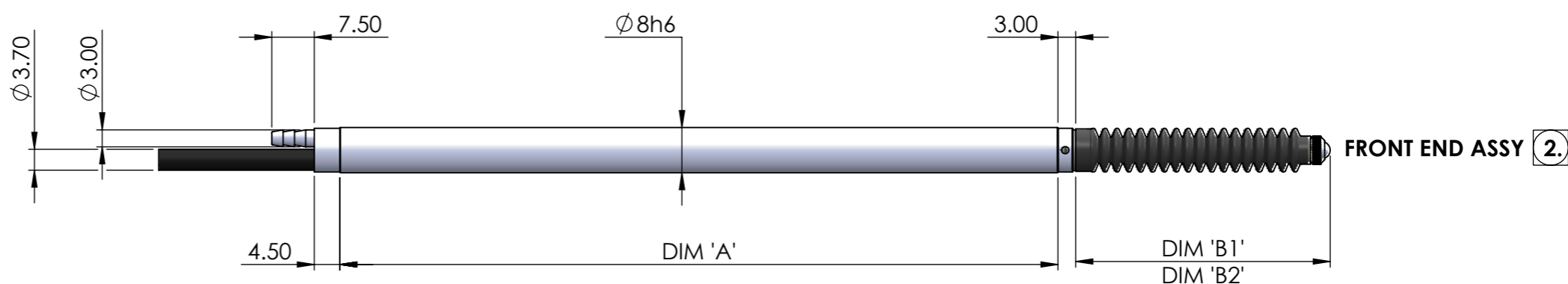
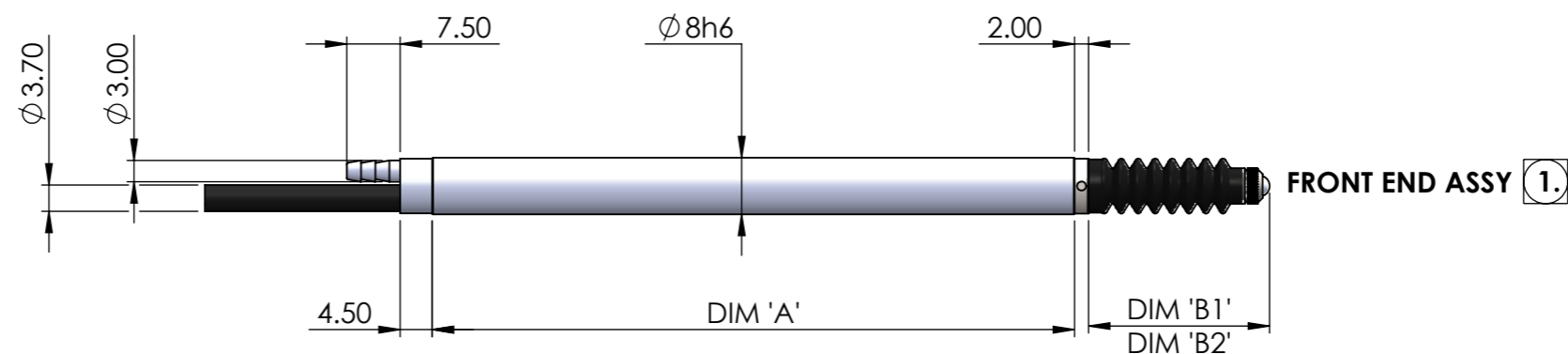


3D MODEL GUIDE		
RANGE	DP VACUUM RETRACT	
	AXIAL	R/A
2mm	DP2V	DPR2V
5mm	DP5V	DPR5V
10mm	DP10V	DPR10V
20mm	DP20V	DPR20V



RADIAL CABLE OUTLET OPTION 'R/A'

MEASUREMENT RANGE	2mm	5mm	10mm	20mm
CASE LENGTH AXIAL DIM 'A'	47.50	66.50	90.50	127.00
CASE LENGTH R/A DIM 'D'	-	57.50	-	-
FULLY EXTENDED DIM 'B1'	14.25	18.00	25.50	45.00
PRE-TRAVEL	0.15	0.15	0.15	0.15
POST-TRAVEL	0.85	0.85	0.85	0.85
FULLY RETRACTED DIM 'B2'	11.25	12.00	14.50	24.00
DIMENSION 'C'	2.00	2.00	2.00	3.00
FRONT END ASSY	(1)	(1)	(1)	(2)